

Edward Jones Pecan assembly

---





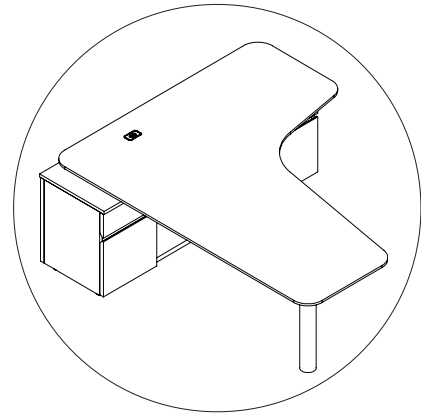
## Table of contents

FA modern assembly	3
L unit assembly	4
EJ1-BOA reception assembly	5-8

## Materials



HK-71  
#8 x 1.5" Quad pan head screws



## FA modern assembly

Before installation, make sure you have the right amount of cartons of furniture

1. Install height adjustable leg, control box and control panel. There are pre-drilled holes to locate. **(Figure A)**
2. Rest the worksurface on top of the other height adjustable legs on the credenza, do not attach the worksurface. **(Figure B)**
3. Connect all electrical components of the height adjustable system together.
4. Synchronize the height adjustable legs by pressing the DOWN arrow button on the control panel until they bottom out. Once reset, press the UP arrow button to raise the worksurface to access the height adjustable leg mounting plates.
5. Attach the rest of the legs, use HK-71.

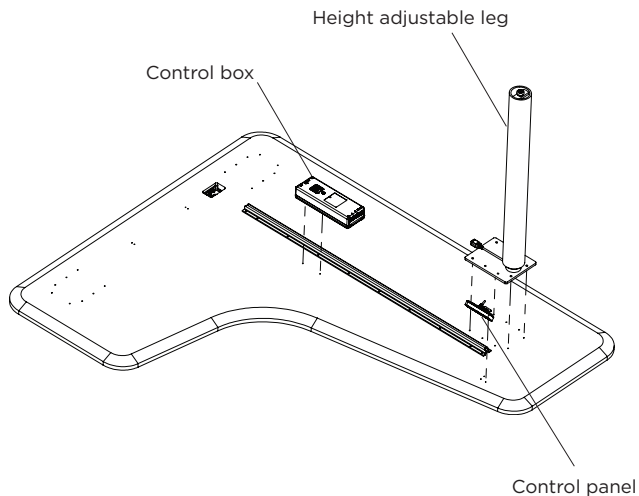


Figure A

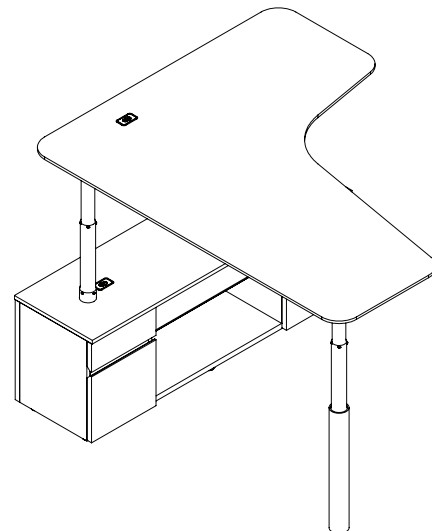
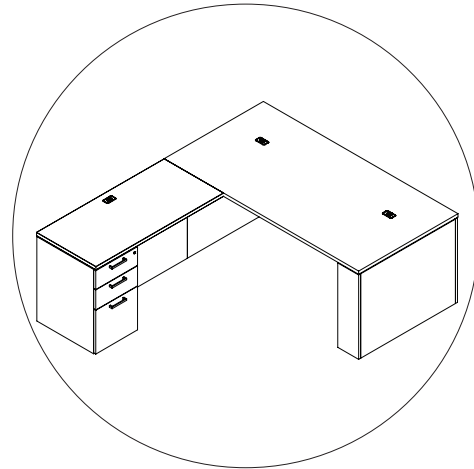
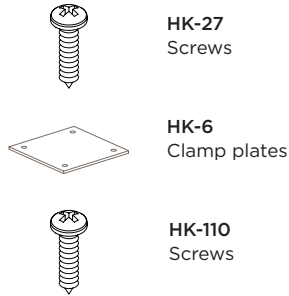


Figure B

## Materials



## L unit assembly

Before installation, make sure you have the right amount of cartons of furniture

1. Place items together and connect both worksurfaces together with the support rail (use screws from HK-27) and one of the clamp plates (HK-6). The location of this hardware has pre-drilled hole locations on the return worksurface. **(Figure A)**
2. Connect all electrical componets together for the height adjustable system and raise the worksurfaces up. This allows access to install the other clamp for the worksurfaces, wire manager on desk and joining the chassises of the return and desk together. **(Figure B)**
3. Lift up the removable panel in the return kneespace to gain access to the inside. **(Figure C)**
4. Attach the return and desk together with screws (HK-110) through the pre-drilled holes of the support panel. **(Figure D)**
5. Install removable panel.

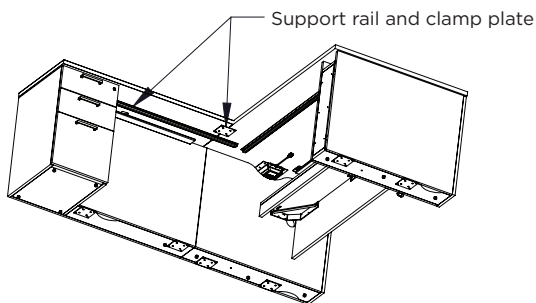


Figure A

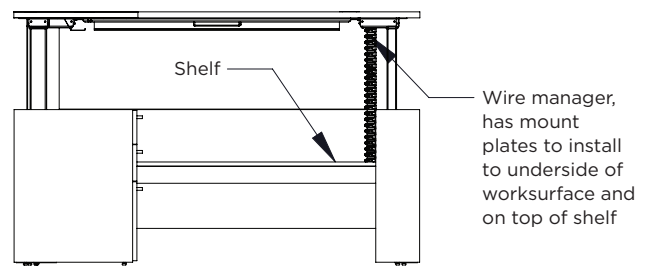


Figure B

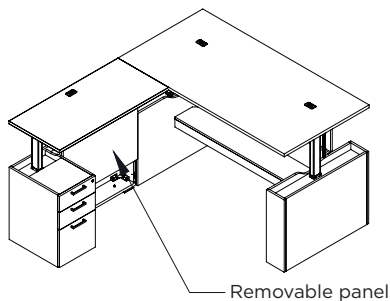


Figure C

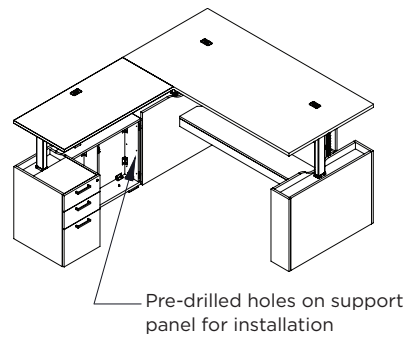
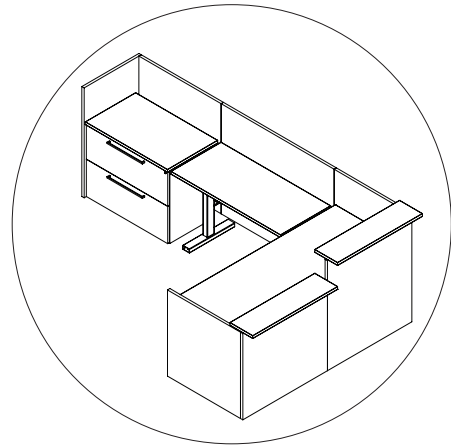


Figure D

## Materials

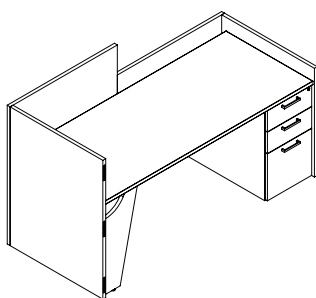


## EJ1-BOA reception assembly

Before installation, make sure you have the right amount of cartons of furniture

**Part 1:** Install transaction shelves **(Figure A)** **Note:** Main desk will already be built.

1. Make sure the head of the bolt **(Detail A)** for the transaction shelf bracket is facing towards the worksurface side of the wall panel. This will be the same side that has screws already in the bracket.
2. Place transaction shelf on top of the wall panel till there's about a .5" gap between the underside of transaction top and top of wall panel. **(Figure B)**
3. Tighten bolt on transaction bracket until the front part of the bracket is tight against the wall panel. **(Figure C)**
4. Once the bracket is tightened on the wall panel, screw the front part of the bracket to the underside of the transaction shelf (see Approach view).



Main reception

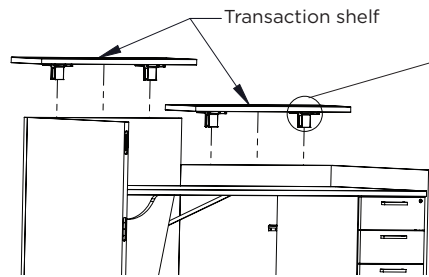
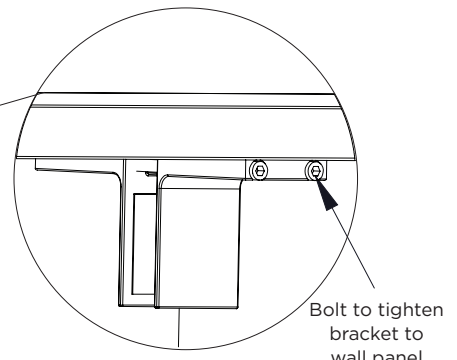


Figure A



Detail A

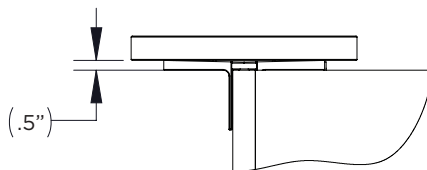


Figure B

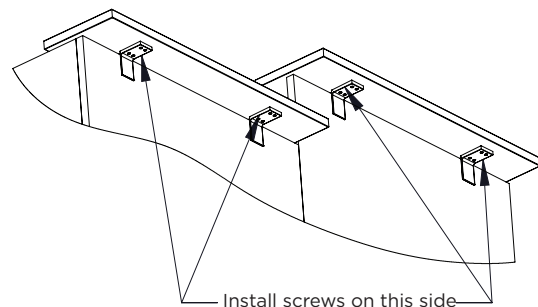
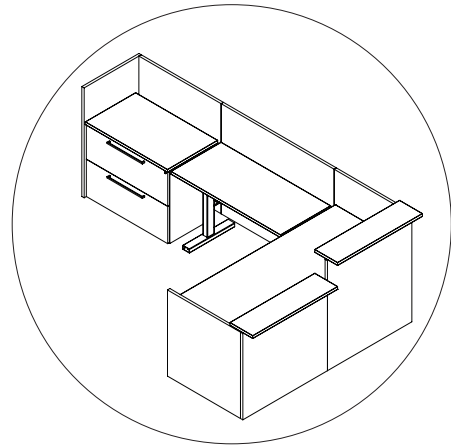


Figure C



## EJ1-BOA Reception Assembly

Before installation, make sure you have the right amount of cartons of furniture

### Part 2: Install additional panels

1. Make sure all hardware is installed into the routes of the wall panels. **(Figure A)**
2. Make sure the main reception desk is leveled.
3. When installing a wall panel, it has to be raised higher than the static wall panel so that the bolt can slide into the groove of the clip of the other panel. **(Detail A)**
4. Top edge of all the wall panels should be flush and even, adjust leveler if necessary. The seam between each wall panel should be tight. Adjustment to the bolt may have to be done to make the seam tighter or looser.

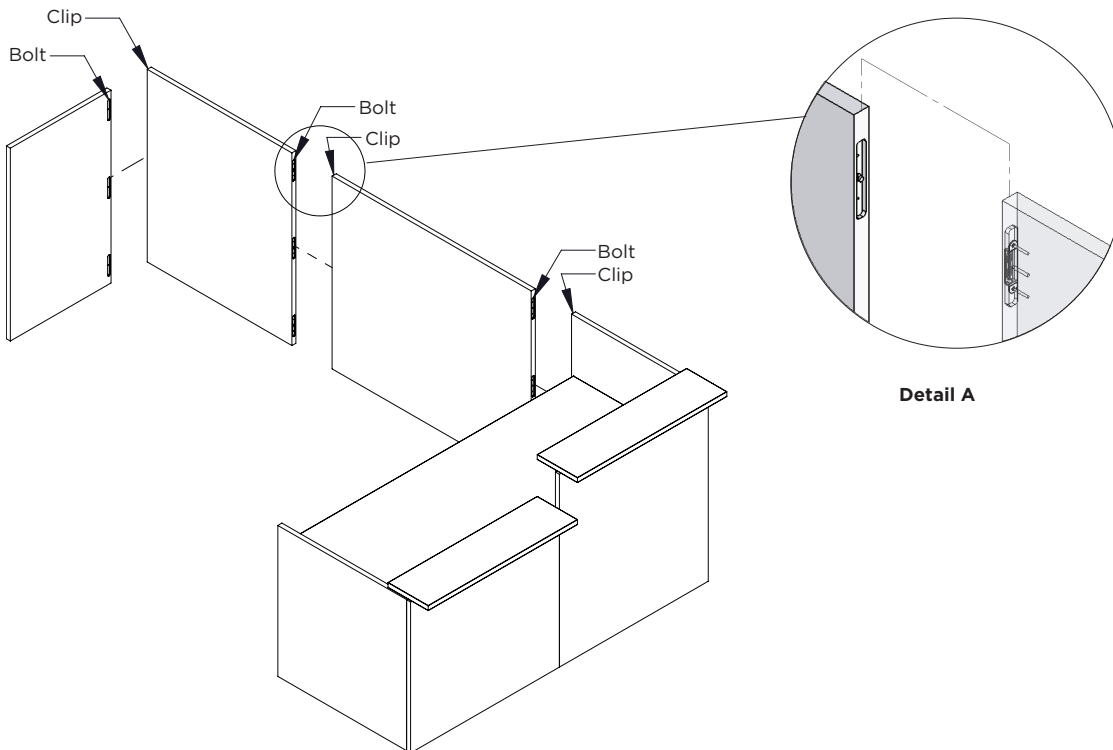
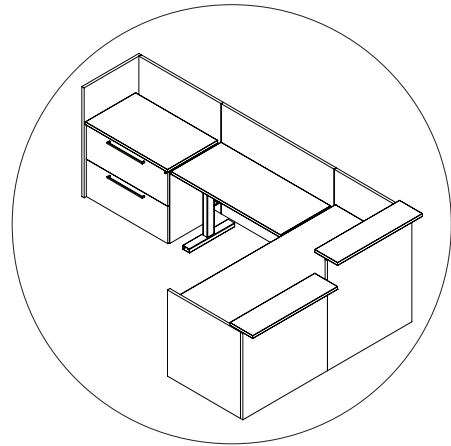


Figure A

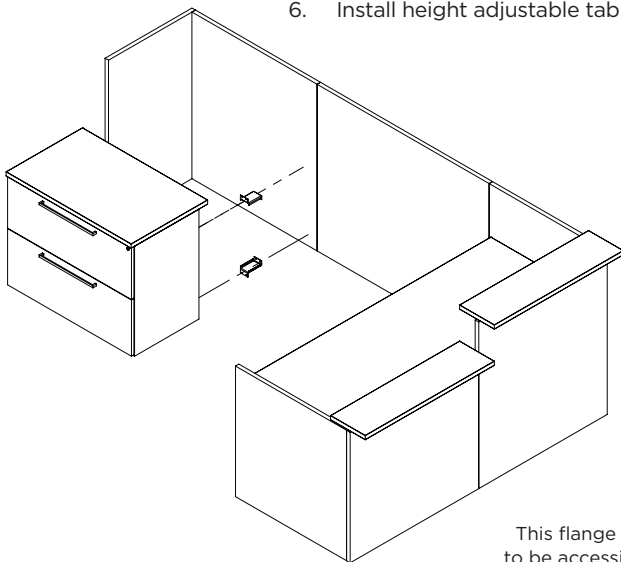


## EJ1-BOA Reception Assembly

Before installation, make sure you have the right amount of cartons of furniture

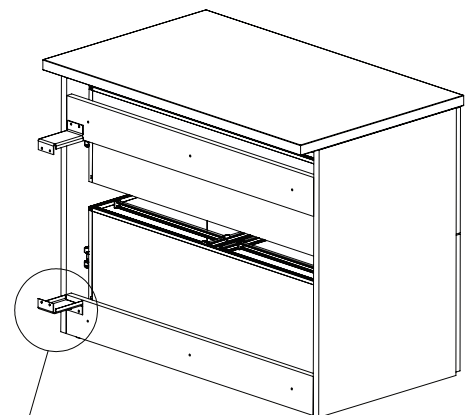
**Part 3:** Install single pedestal, optional depending on set-up.

1. Attach pedestal brackets to the back panel of the pedestal. **(Figure A)**
2. Make sure the pedestal bracket is oriented correctly so that it can be easily accessed to install to the wall panel. **(Figure B)**
3. Remove the drawers from the pedestal. This will give you access to the pedestal brackets and to attach the side of the pedestal to the wall panel from the inside of the pedestal.
4. Push pedestal up against the wall panels. Attach the side of the pedestal to the wall panel and the back of the pedestal to the wall panel using the pedestal brackets.
5. Install the drawers back into the pedestals.
6. Install height adjustable table.

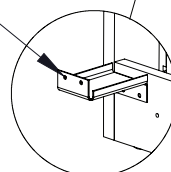


**Figure A**

This flange needs to be accessible to attach to wall panel



**Figure B**

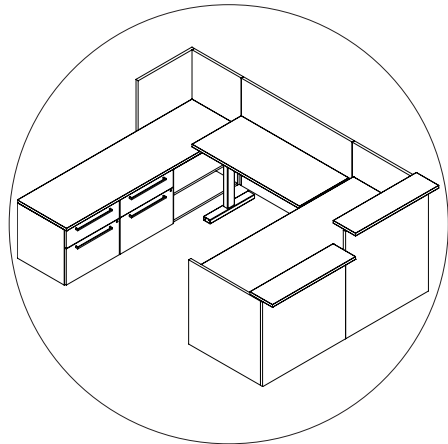


**Detail B**

## Materials



**HK-102**  
#8 x 2" quadrex washer head screw

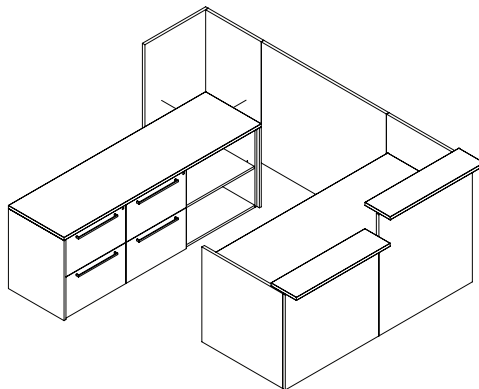


## EJ1-BOA Reception Assembly

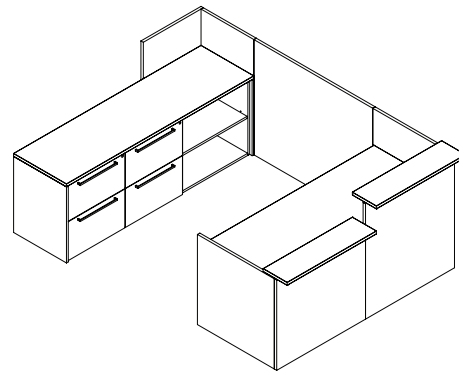
Before installation, make sure you have the right amount of cartons of furniture

**Part 4:** Install credenza, optional depending on set-up.

1. Push the credenza side and back up against the wall panels to attach, use HK-102. If attaching through a drawer pedestal, make sure that the screws are ran through the back case spacers. **(Figure B)**
2. Install height adjustable table.



**Figure A**



**Figure B**