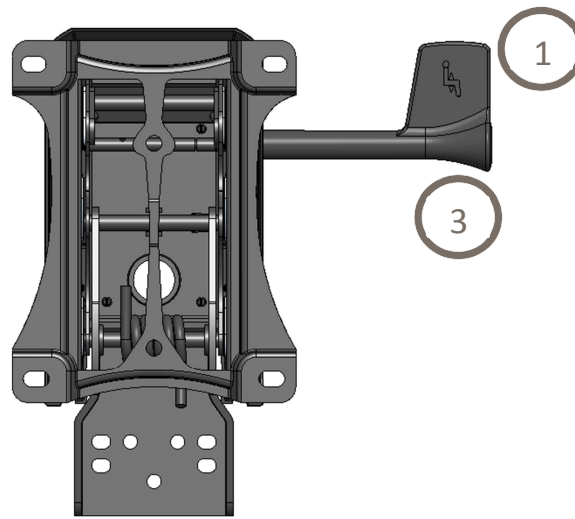
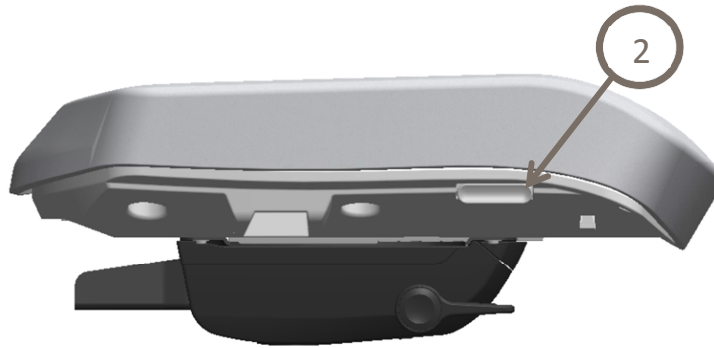


Zonal Mechanism Operating Instructions



Top View (As seated)



Right Side View (With Seat)

- ① **Seat Height Adjustment:**
Lift tab up to adjust seat height
- ② **Seat Depth Adjustment:**
Push the button to allow the seat to slide, release the button to lock the seat in place
- ③ **Back Angle Adjustment:**
Pull paddle out to release lock, push paddle back in to lock into place (Back can only be locked in fully upright or reclined position).